

AMBASSADOR GUTTERS - G55 & G146

FIXING INSTRUCTIONS

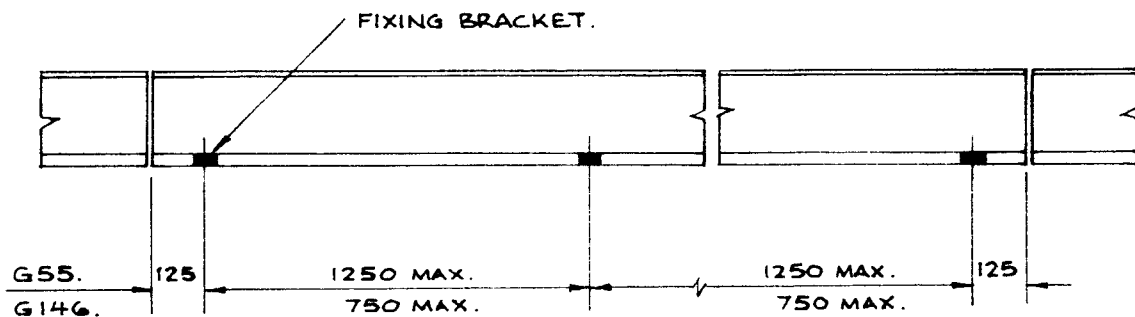
1. GENERAL

Fix all corners, stop ends and outlets first. Then fix straight lengths, cutting to fit as necessary.

Leave a 3mm expansion gap at every joint. Install the gutter level, not to falls.

If installation drawings have been prepared they are to be read in conjunction with these instructions.

2. BRACKETS

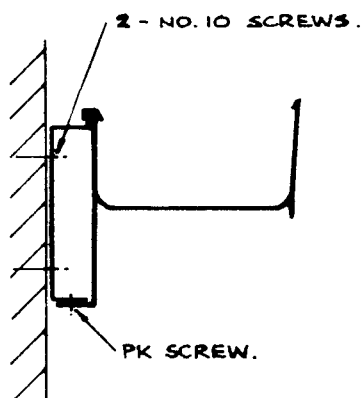


CENTRES OF FIXING BRACKETS.

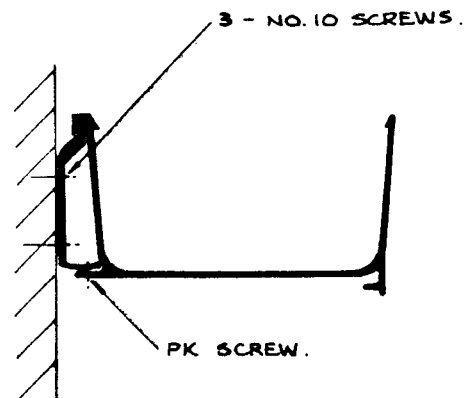
Mark out fixing centres of brackets observing the maximum centres shown above. See Section 3 for fixing corner sections and outlets.

Fix the brackets to a line. Use packing as necessary. G55 brackets are fixed with two No. 10 round head screws; G146 brackets require three screws. Screws must be stainless steel or cadmium plated.

Gutters are clipped over the brackets and secured with a short PK screw through the bottom flange (PK screws supplied).

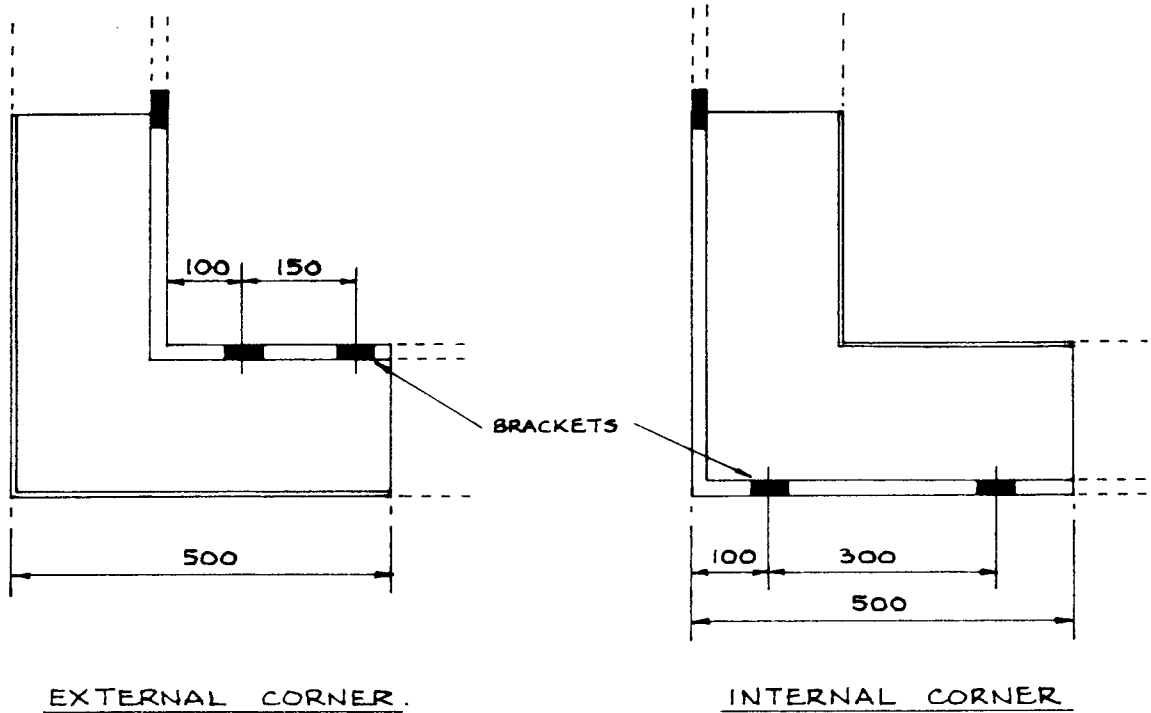


G55 GUTTER



G146 GUTTER

3. CORNERS AND OUTLETS



Fix two brackets to one side of the corner as shown above.

Clip the gutter section over the brackets.

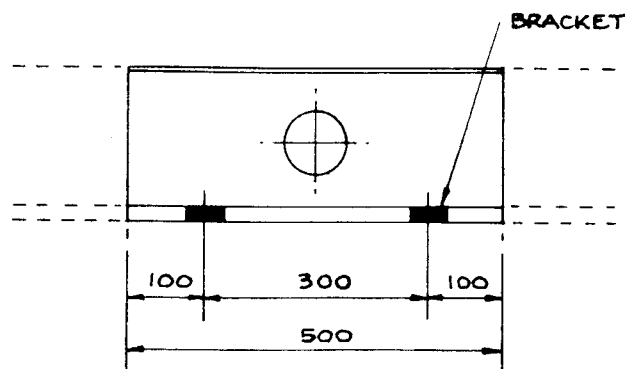
Slide a third bracket into the other side of the gutter so that the bracket will support the gutter but the fixing holes are still accessible.

Ensuring that the gutter is level, fix the third bracket. Finally fix PK screws into bottom flange.

NOTE: Small inaccuracies between building corners and gutter corners can be overcome by reducing the length of the gutter corner sections.

Outlets are generally fixed as straight lengths.

The centre of the outlet should be positioned to suit required position of downpipe and gully.



TYPICAL OUTLET.

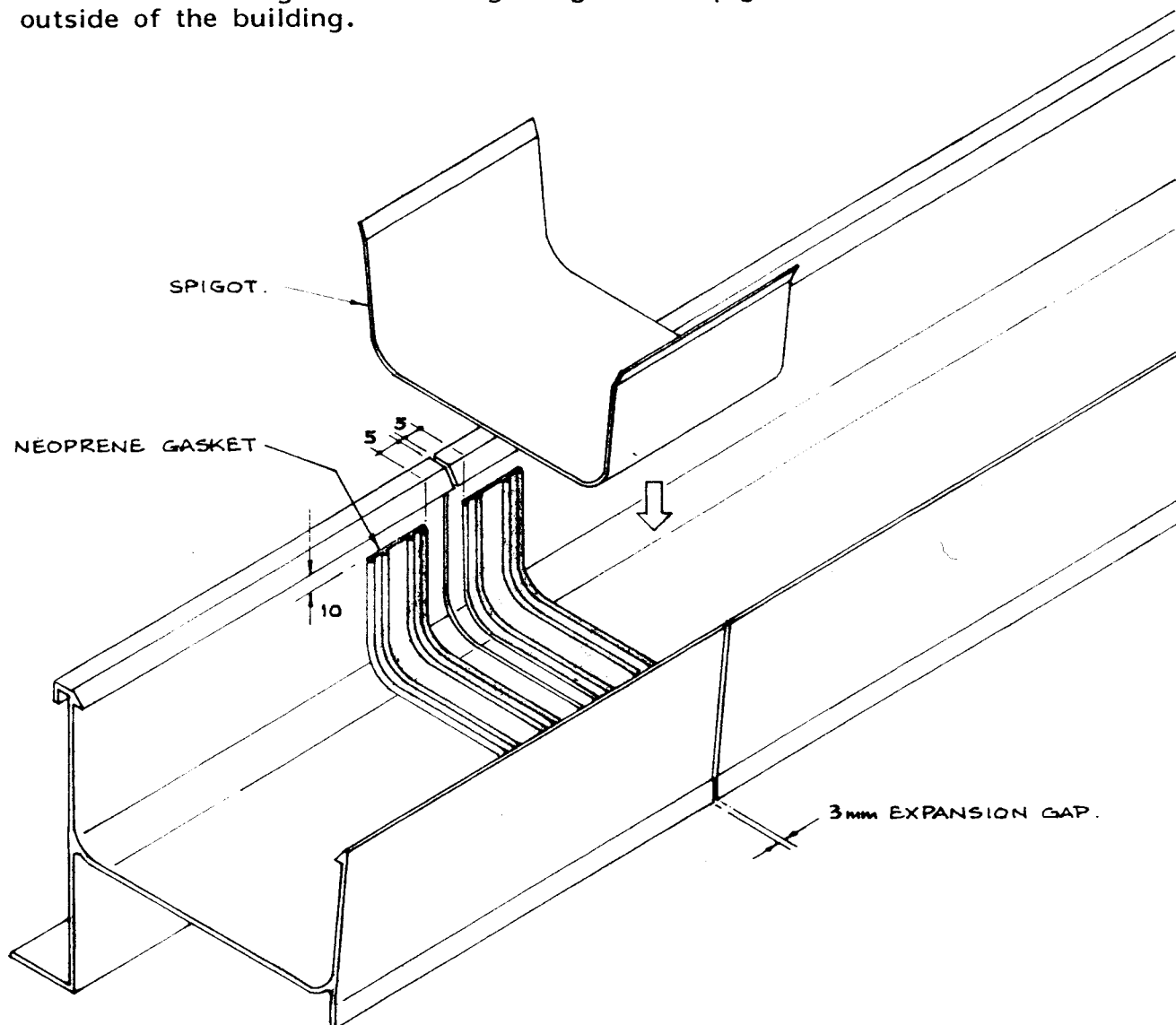
4. JOINTING

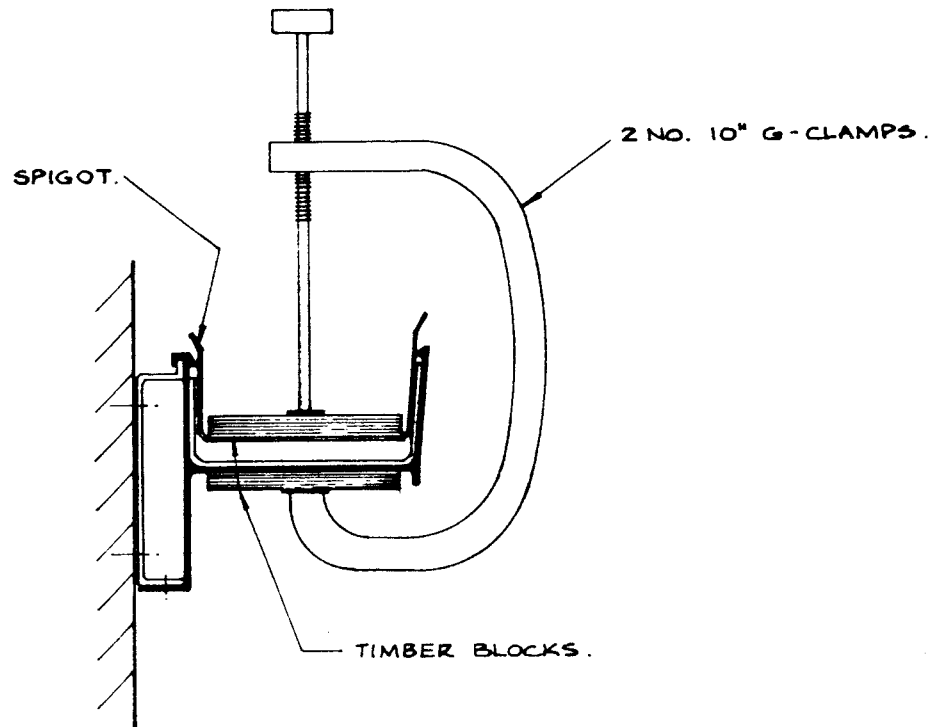
Clean the inside of the gutter at each end with methylated spirits. Cut two lengths of neoprene gasket 200mm long for G55 or 300mm for G146. Remove the backing paper and fit the gaskets on each side of the joint, pressing them well into the corners of the gutter.

Apply a suitable lubricant to the gaskets to facilitate the fitting of the spigots. (Hand cleanser or washing-up liquid makes an ideal lubricant and is usually readily available on site).

Place the spigot in the gutter centrally over the joint and with the aid of G-clamps and timber blocks, press the spigot until it clips under the lips of the gutter.

Note that on G55 gutters the longer leg of the spigot is towards the outside of the building.





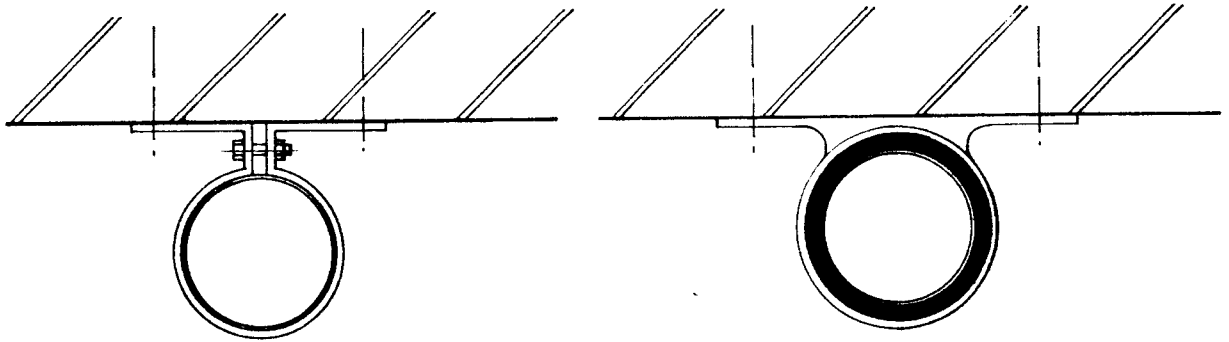
- NOTE:
- (1) The timber block used inside the spigot should be the full width of the spigot to avoid damage i.e., 100mm wide for G55 gutter, 140mm wide for G146 gutter.
 - (2) If access is restricted, the joint can be made by hooking the back edge of the spigot into place and positioning the G-clamps nearer the front edge of the gutter.
 - (3) If necessary joint spigots can be removed by using two large screwdrivers and levering the spigot from under the lip on the front edge.

CIRCULAR DOWNPIPES

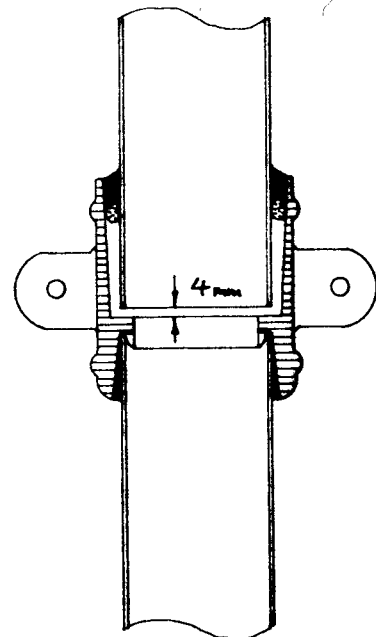
Circular downpipes are fixed with pipe clips at 1800mm centres maximum and sockets at pipe joints. The clips slide over the pipe and are clamped in the required position.

Pipe sockets are used at joints and should already be fixed to the top end of the pipe. When fitting the socket and pipe to the section above, ensure a gap of 4mm is left between the end of the pipe and the bottom of the socket to allow for thermal expansion.

Fixings can be either 6mm expanding bolts or No.12 screws and plugs. Use washers under nuts or heads of screws to allow for thermal movement. Silicone based sealant should be applied between pipe and top edge of socket.



PIPE CLIP.



PIPE SOCKET.